

THE NEW **MAUS 600**

Because we know what you need.



REICHMANN & MAUS - A merger of Top Class Foundry Finishing Technology.

Two become one for the best of both worlds.

For many years both Reichmann & Maus have been world-wide leading providers of foundry automation. In July 2021 the intellectual property rights of Maus were acquired by the German engineering company Reichmann & Sohn GmbH.

The merger of both companies enables a long revered combination of world class skills and experience into the development of a new product line:

MAUS 600

The MAUS 600 is the resultant creation of a 5-axis NC machine designed especially for small to medium batch size castings or linked in-line solutions. The "Made in Germany" title indicates a typical robust and reliable manufactured product developed from a high level of process know-how to provide ultimate flexibility in a standardised compact housing. This reduces the initial capital investment cost and improves the delivery lead time.

With such advanced protocol the new Maus 600 is sure to set new foundry finishing standards.

Reichmann
CASTING FINISHING

1918 ■

Foundation of Reichmann & Sohn GmbH for production of workshop grinding machines and polishing motors.

1990 ■

Reichmann develop automatic casting finishing machines and cutting systems in the casting finishing division with a focus on process optimization and mass casting production.

2016 ■

Reichmann Casting Finishing presents the first 5-axis NC contour grinding system at the GIFA trade show.

2018 ■

100 year company anniversary. Reichmann is known worldwide for robust and durable mechanical engineering „Made in Germany“.

2021 ■

Reichmann acquire the intellectual property rights and the MAUS brand to combine the know-how of both companies and resulting in the new **MAUS 600 product line.**

MAUS 600

MAUS

1986 ■

MAUS is founded as a special machines division within Carraro Group Spa.

1994 ■

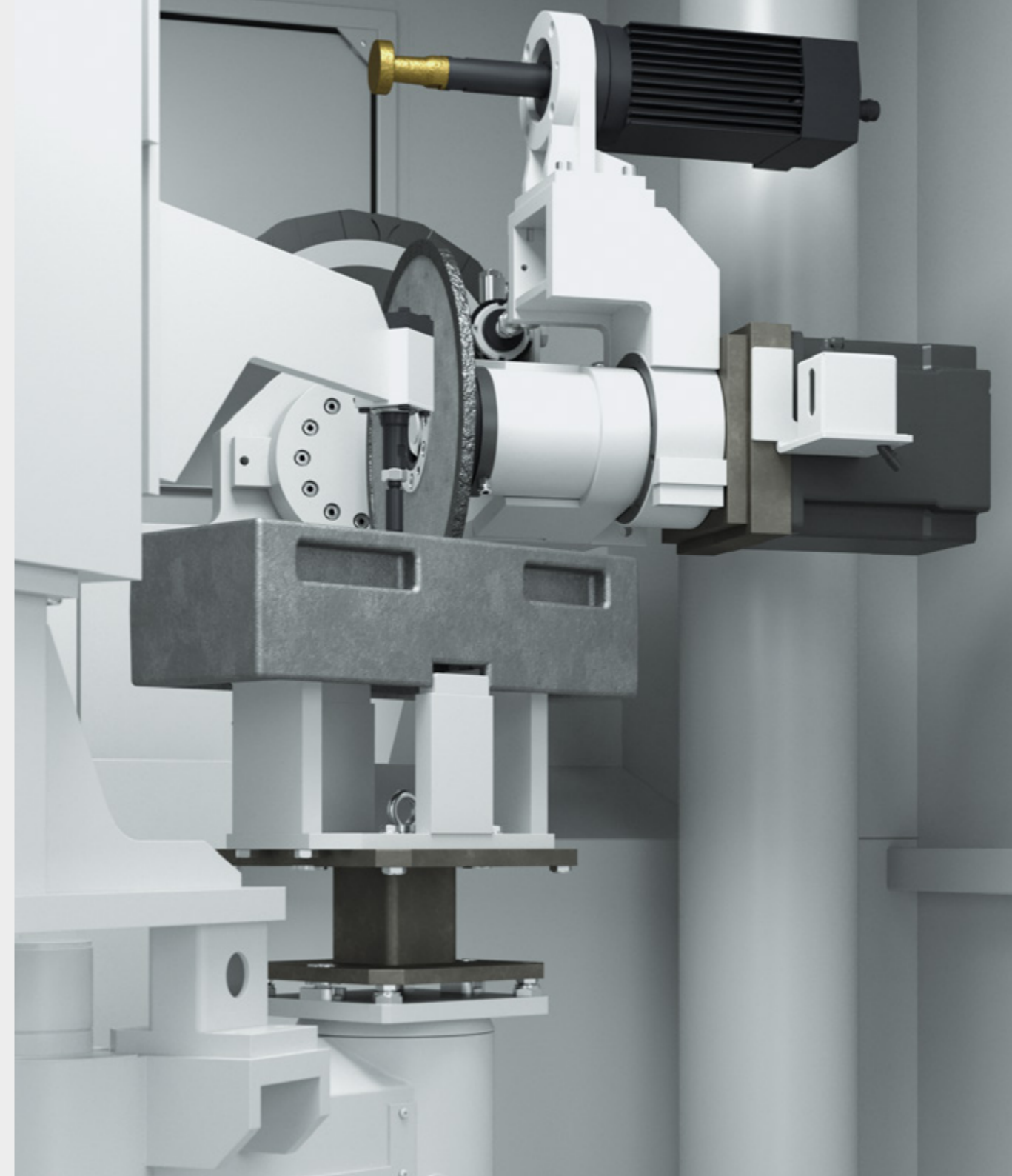
MAUS become an independent company developing automatic grinding machines, vertical lathe & special purpose machines.

2007 ■

Industrialization of standard automatic griding machines with models SAM300, SAM600 and SAM1200.

2018 ■

Introduction of MAUS Readygrind, an affordable and flexible automatic NC grinding solution.



AUTOMATIC FETTLING « Made in Germany »

ULTIMATE FLEXIBILITY – IN THE MOST COMPACT SPACE.

The compact MAUS 600 casting finishing centre can process a **wide range of cast parts** made from iron, steel, brass, copper or aluminium. A **large selection of grinding tools** can be adapted to the standard interface to suit the process.

The machine offers a large processing area on a small footprint and **can easily be transported** using a forklift or in a container.

REICHMANN - A RELIABLE AND COMPETENT PARTNER.

Everything from a single source – turn-key solutions "Made in Germany".

Technical support is provided from **initial consulting and process analysis** through **development and implementation to after sales**. Production results from day one guarantee a quick amortisation within other manufacturing processes.

MAUS 600 - VARIANTS

MAUS 600

Basic machine with door



- extremely compact **footprint**
- the **cost-efficient** entry into automatic casting finishing
- ergonomic loading** with short distances

MAUS 600 TD

Machine with pallet changer and door



- compact **footprint**
- high time efficiency:** shuttle table for loading and unloading parallel to processing
- ergonomic loading** with short distances

MAUS 600 TL

Machine with pallet changer and light barrier



- ideal for **robot or crane loading**
- high time efficiency:** shuttle table for loading and unloading parallel to processing
- barrier-free accessibility** for loading

COMING SOON ...

MAUS 900 TL

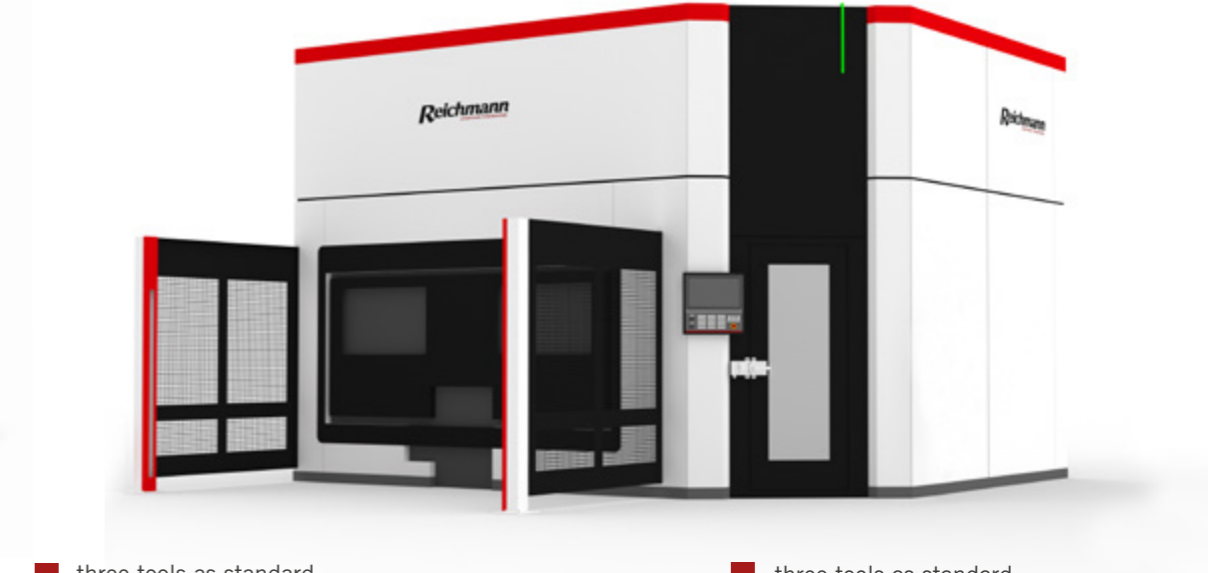
Machine with pallet changer and light barrier



- ideal for **robot or crane loading**
- high time efficiency:** shuttle table for loading and unloading parallel to processing
- machining of a wide range of castings in a small footprint

MAUS 1400

Machine with pallet changer and light barrier



- three tools as standard
- optional tool changer: always the right tool
- highest contour accuracy to the taught path & highest removal and cutting performance thanks to proven rigidity from „classic“ mechanical engineering (linear technology)

MAUS 2200

Machine with pallet changer and light barrier

- three tools as standard
- optional tool changer: always the right tool
- highest contour accuracy to the taught path & highest removal and cutting performance thanks to proven rigidity from „classic“ mechanical engineering (linear technology)

Technical Data	MAUS 600	MAUS 600 TD	MAUS 600 TL
Dimensions (W x D x H)	1,860 x 2,170 x 2,330 mm	1,910 x 3,120 x 2,330 mm	1,910 x 3,510 x 2,330 mm
Weight	3,200 kg	4,160 kg	4,000 kg
Casting dimensions max.		Ø 600 mm x H 400 mm	
Weight of casting and device max.		up to 100 kg	
Total power	10 kW main spindle + 3 kW additional spindle (optional main spindle with 26 kW)		

Technical Data	MAUS 900 TL	MAUS 1400	MAUS 2200
Dimensions (W x D x H)	2,320 x 4,810 x 2,750 mm	7,000 x 6,000 mm*	8,000 x 8,000 mm*
Weight	5,200 kg	<i>coming soon</i>	<i>coming soon</i>
Casting dimensions max.	Ø 900 x 600 mm	Ø 1,400 x 885 mm	Ø 2,200 x 885 mm
Weight of casting and device max.	up to 250 kg	up to 600 kg	up to 1,000 kg
Total power	10 kW main + 3 kW additional spindle (optional main spindle with 26 kW)	2 x 30 kW main spindle + 6 kW additional spindle	

*non-binding preliminary information



PROGRAMMING SIMPLIFIED.

Without prior knowledge the new Beckhoff control system offers a **finished program in a few hours**.

Complex machining programs are created and optimized directly in the work area with the **pre-installed function favourites**. The Windows 10-based control can be operated intuitively and offers the best conditions for diagnosis, support and networking.

ALWAYS ONE STEP AHEAD.

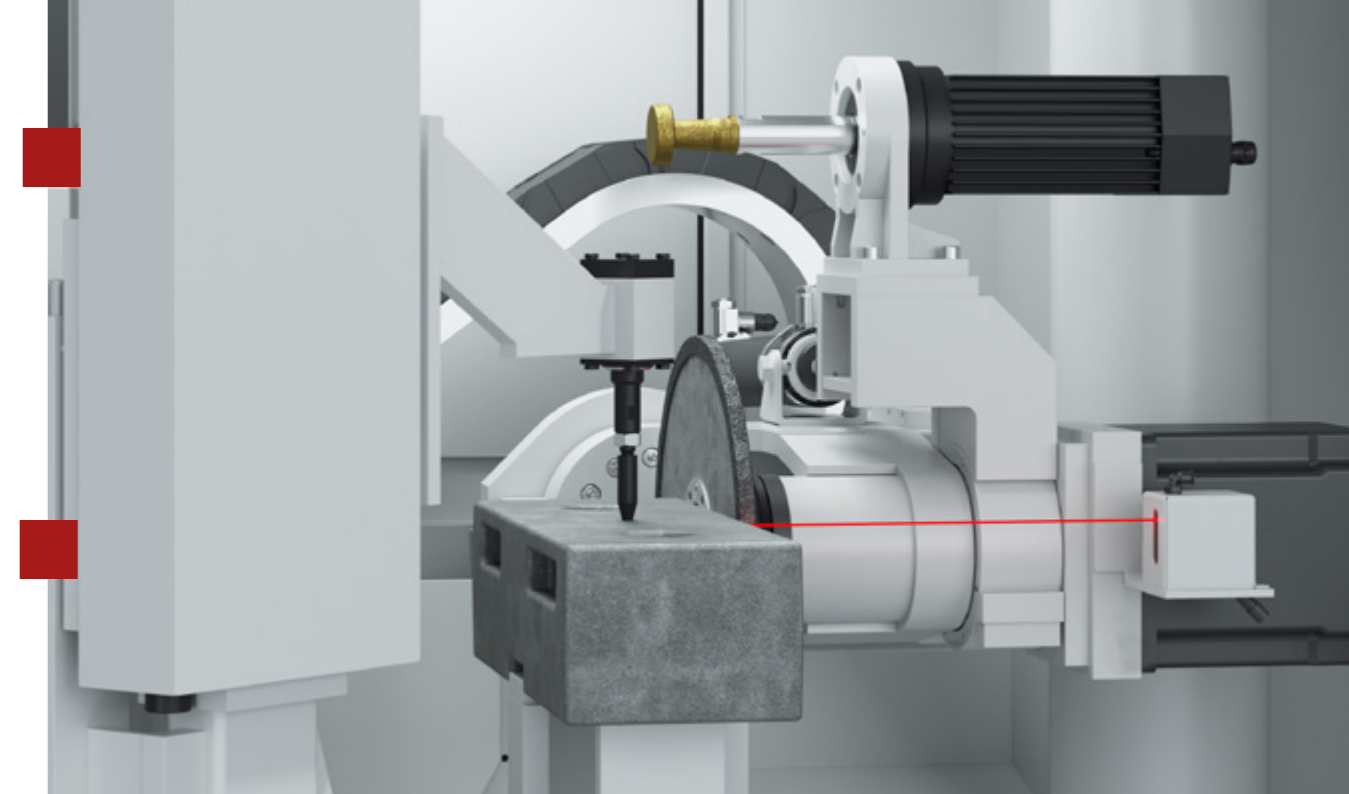
“Industry 4.0 / IIoT (Industrial Internet of Things) ready”: Through targeted collection, evaluation and integration of data (e.g. motor currents), downtimes can be identified and specifically planned before they occur. This increases your productivity and reduces costs.

QUALITY AT THE HIGHEST LEVEL.

The optional **laser measurement system detects batch variations or features** and automatically adjusts the machining process to ensure high quality and to extend the service life of the tools.

SAFETY IN THE MACHINING PROCESS.

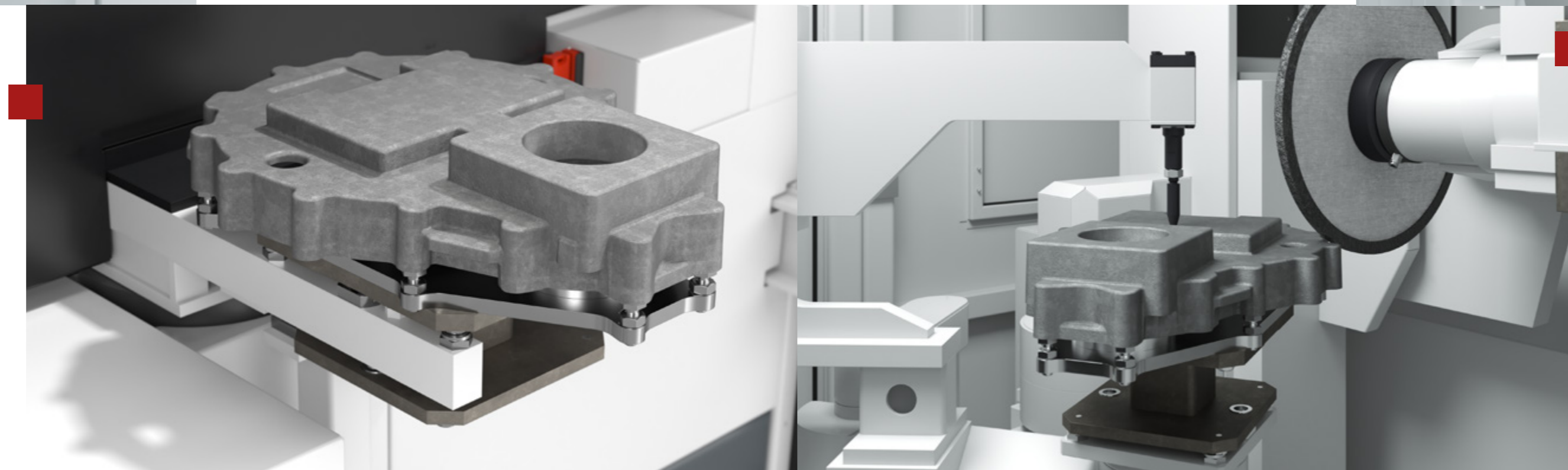
With the optional **clamping stroke and clamping pressure monitoring**, the workpieces remain safely under control during machining.



NEW DEVICE IN NO TIME.

Quickly build a suitable casting fixture with the new **standardised fixture interface**. Optionally **active clamping fixtures and customised solutions** are available on request.

On-going after sales technical support with future grinding tasks, fixture creation and sequence programming.



ECONOMICAL EVEN WITH SMALLEST BATCH SIZES.

The simplest programming and fixture creation ensures **minimal set-up times** for a new casting.

Increased flexibility, time and cost savings: The machines with pallet changers automatically select the relevant machining program for different cast parts in a **mixed operation**. Despite the pallet changer, only one device per cast part is required, thus saving time and money.

A **10 kW main spindle** and a **3 kW additional spindle** with a wide variety of tools are available for machining. For processes that require higher removal and cutting performance, we optionally offer a **26 kW main spindle**. With the optimally dimensioned spindle power, you benefit from high energy efficiency and reduced cycle times.

ERGONOMICS ON ALL LEVELS.

We offer the highest level of user comfort as standard.

The MAUS 600 scores with **particularly good accessibility for operation, loading, programming, cleaning and maintenance.** Optimised walkways, an ergonomic insertion height of the castings and safety devices for the operator ensure that your employees enjoy working on the machine.

Because it's the little things that make the big difference.



STRESS FREE OPERATION ...

EASE OF ACCESS.

The front of the machines with door opens completely. This enables an **easy access for cleaning and maintenance.**

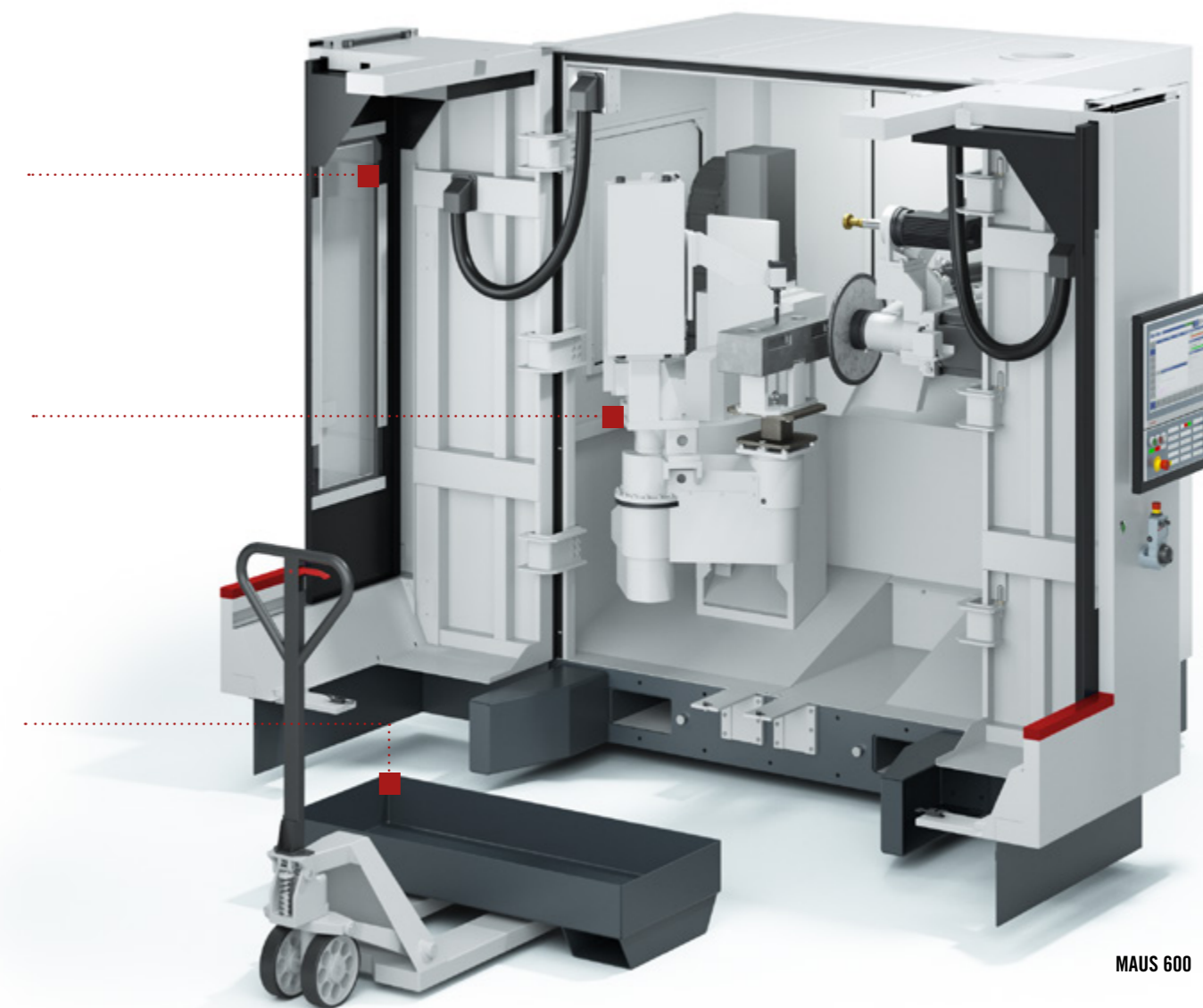
SMOOTH OPERATION.

A **centralised lubrication system** reduces maintenance work to a minimum and allows operatives to benefit from minimal downtimes and concentrate on output quality.

CLEAN SURROUNDINGS.

An **extra-large residue chip drawer** reduces cleaning intervals and can be conveniently emptied with a forklift. Optionally, the MAUS 600 is also available with an **integrated chip conveyor.**

Dust is extracted at the most accessible point in the machining area.



MAUS 600

... IN EVERY DETAIL.

OPTIMAL OPERATOR PROTECTION.

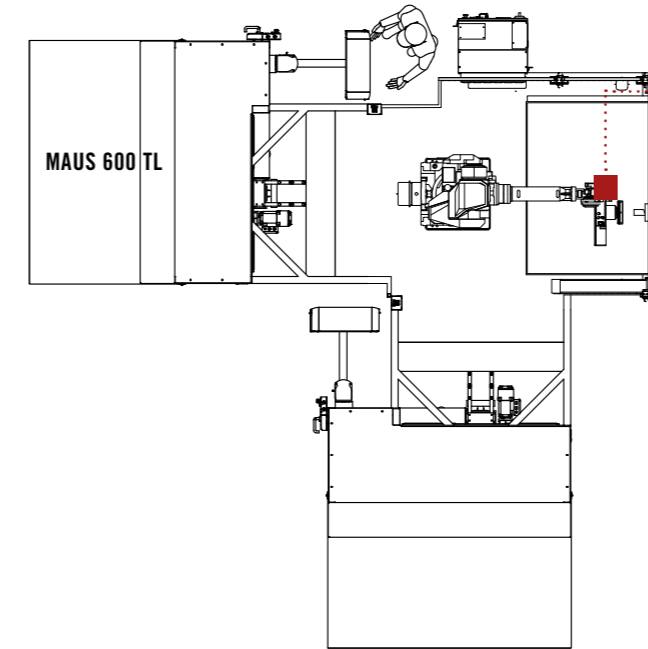
As additional workshop protection we can implement workspace panelling with **sound-absorbing material**.

ERGONOMIC PART LOADING.

The MAUS 600 design offers an **ergonomic infeed and outfeed of castings** with a new loading of the shuttle table directly at the machine. This avoids the operator stepping back and improves the approach for loading and unloading.



MAUS 600 TD



LOADING WITH BIN-PICKING.

LOADING MADE EASY.

The light barrier solution offers optimal conditions and **access for crane loading**. This facilitates the loading of heavy castings. All MAUS 600 variants have an **ergonomic insert height** for convenient manual loading.



MAUS 600 TL

